

- Back**
- o PushPull Power
 - o Flat Cable Connectors SEK
 - o *har-mik®*
 - o D-Sub
 - o InduCom

- **Applications**

Product details

09 02 264 6821

Backplane connector

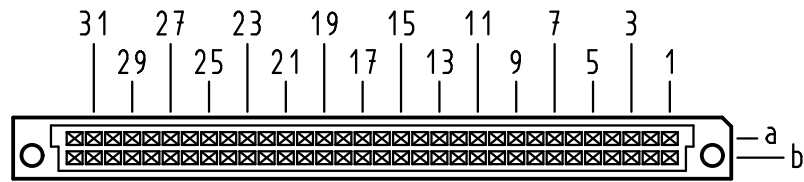
| | |
|------------------------|--|
| Type | Type B |
| Standard/Inverse | Standard |
| Contact gender | Female contacts |
| Size | Whole size |
| Number of contacts | 64 poles |
| Contact arrangement | Rows a and b |
| Termination | Straight wrap posts |
| Termination length | 13.0 mm |
| Performance Class | Performance level 2 as per IEC 60603-2 |
| Contacts | with contacts |
| Terminal finish | nickel-plated |
| Current | 2 A max. |
| Clearance/ Creepage | 1.2 / 1.2 mm min. |
| RoHS compliant | Yes |

Inquiry

Available Downloads

Alle Rechte vorbehalten/ All rights reserved

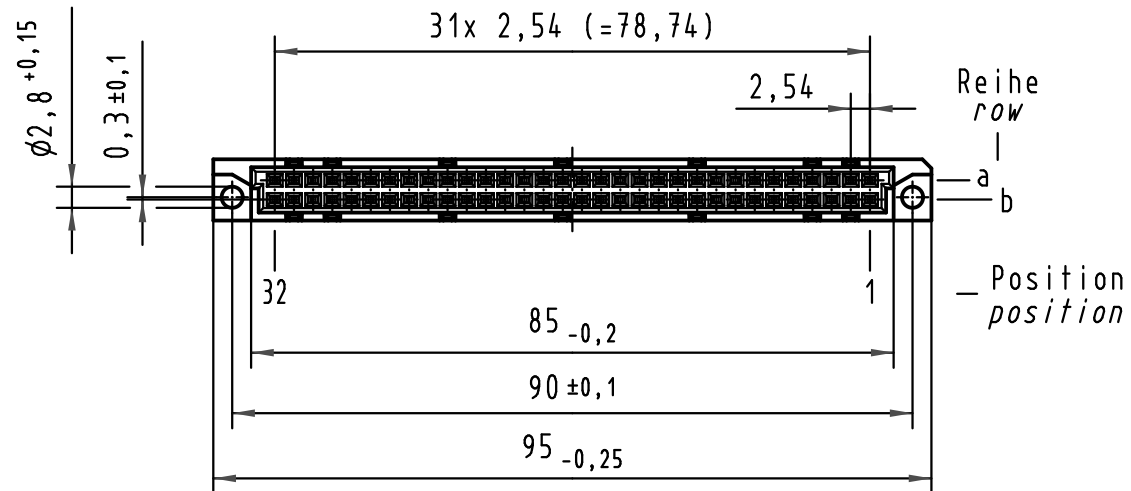
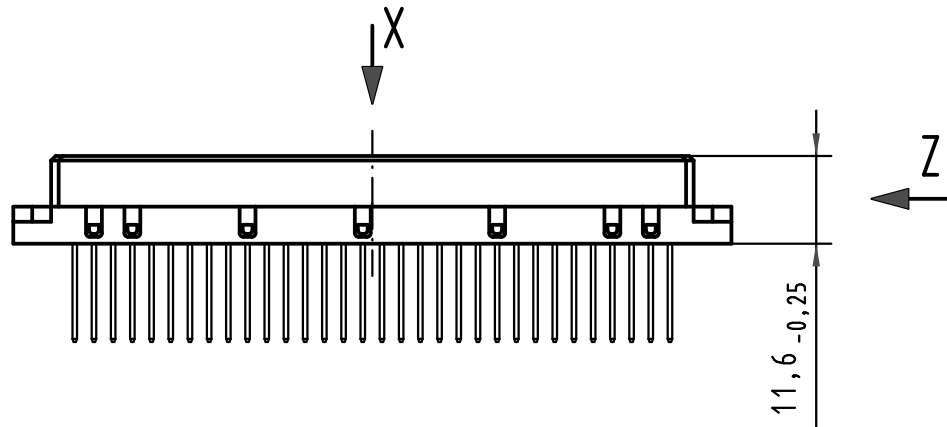
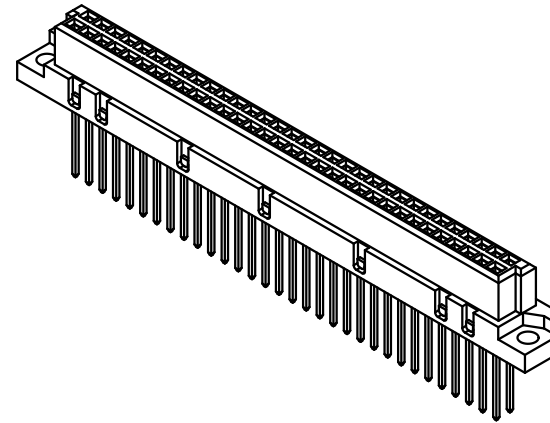
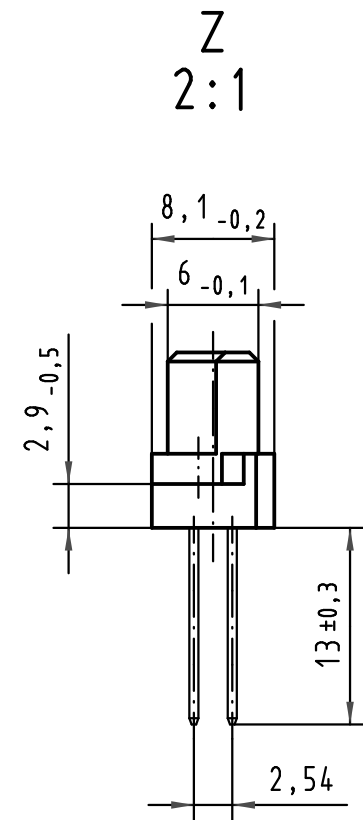
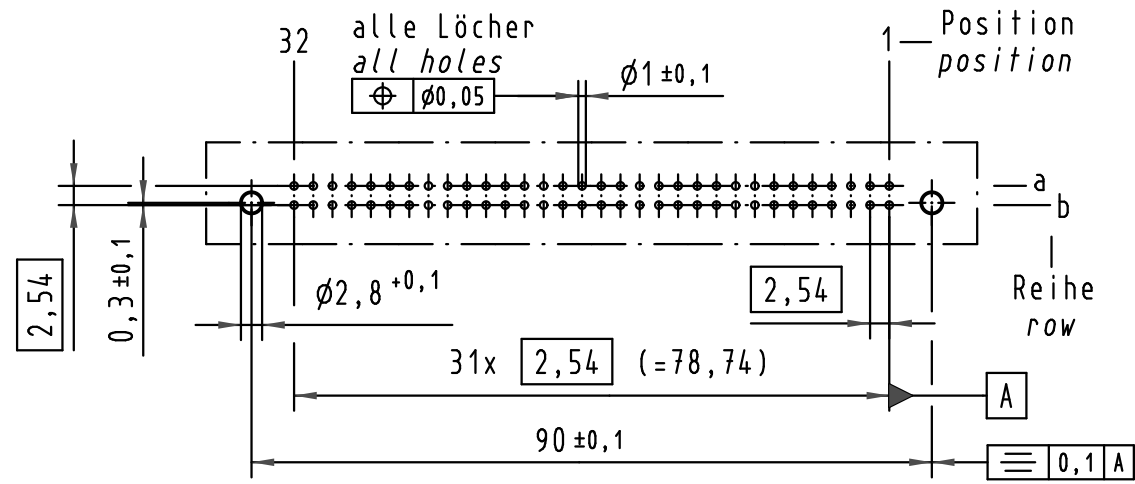
X
Kontaktanordnung
contact arrangement



64 Signal Kontakte
64 signal contacts

- ☒ = Kontaktposition belegt
= position with contact
- ☐ = Kontaktposition nicht belegt
= position without contact

X
(Lochbild)
(board drillings)



| | | |
|-------------------------|---|--------------------------------------|
| 09 02 264 6821 | 2 | Au über/over Ni |
| Bestell-Nr. part-no. | Anforderungsstufe nach IEC performance level acc. to IEC | Kontaktoberfläche contact plating |

| | | | | | | | | |
|---|----------|-------|--|---------------|---|--|--|--------------------|
| All Dimensions in mm Original Size DIN A 3 | | | Techn. Character. | | | Nicht tolerierte Maße/Free size tolerances IEC 60603-2 | | |
| | | | Dat. | Name | Maßstab/Scale 1:1 (2:1) | Bauform B Federleiste, WW 13, 64 pol. type B female connector, WW 13, 64 pol. | | |
| | | | Detail. | 12.10.99 Rie. | | | | |
| | | | Insp. | 12.10.99 Pa. | | | | |
| 34650 | 25.10.07 | Hage. | Stand. | | | TB 09 02 264 x821 | | |
| 26962 | 24.01.00 | Rie. | | | | | | |
| 26091 | | | | | | | | |
| Mod. | Dat. | Name | HARTING Electronics GmbH & Co. KG D-32339 ESPELKAMP | | | | | Blatt/page Sub. |